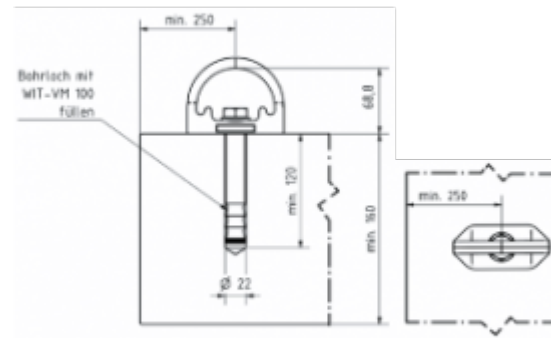
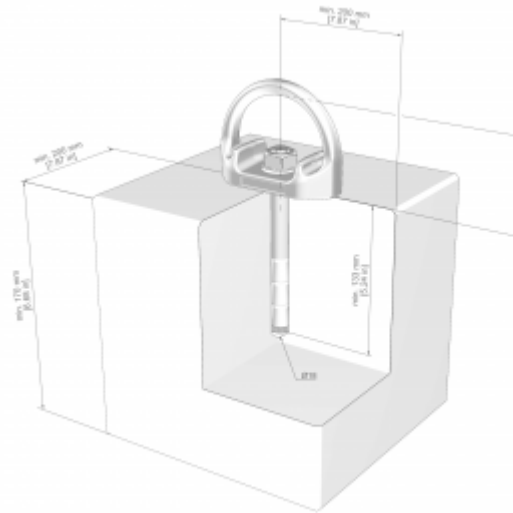


Data sheet

D-BOLT TYP 46 (AP-063-GPS)



GENERAL

Art. no.:	AP-TYP-46	E-class number:	40-02-01-90
EAN:	4030281277491	Customs no.:	73269098
Standard:	EAD 331072-00-0601		

Data sheet

D-BOLT TYP 46 (AP-063-GPS)

DIMENSIONS

Weight: 0,88 kg

The D-BOLT, AP-TYP-46 is made of stainless steel and has a European approval according to the Construction Products Regulation EU-305/2011 from the German Institute for Construction Technology (DIBt). The D-BOLT TYP-46 is also tested according to EN 795 and CEN/TS 16415. Included in delivery is an adhesive anchor with external thread for gluing in with approved adhesive. Slings of loads, use for material transport, or as a safety device in rope access technology, are not the subject of the tests and are outside the scope of application.